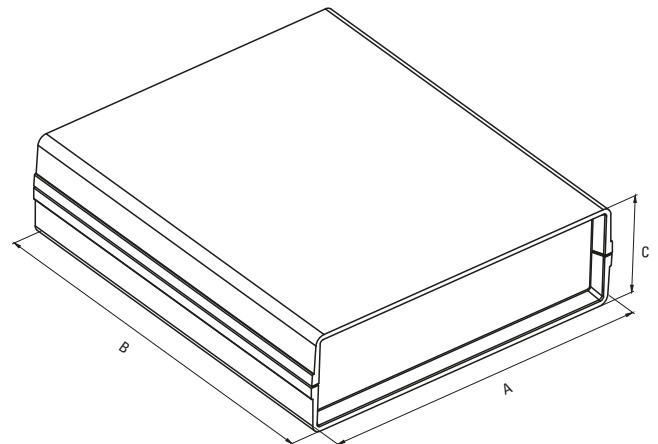


## PLASTIC PROJECT ENCLOSURES

- ABS UL94-HB material
- Light gray and black color options
- Low cost
- Easy assembly thanks to separable design and moveable front and back panels.
- Wall mounting option with suitable wall mounting kits
- Angled mounting kit available for DT-210 and DT-220, for sloped usage



Code	W (A)	L (B)	H (C)	Mounting Screws
HH-8080	85	155	30	4 Pcs
HH-8082	85	155	45	4 Pcs
HH-8282	85	155	60	4 Pcs
DT-085	145	85	38	2 Pcs
DT-0505	130	138	48	2 Pcs
DT-0508	130	138	54	2 Pcs
DT-0808	130	138	61	2 Pcs
DT-0909	126	137	82	2 Pcs
DT-1010	154	174	47	4 Pcs
DT-1020	154	174	54	4 Pcs
DT-2020	154	174	61	4 Pcs
DT-210	166	120	45	4 Pcs
Angled Mounting Feet DT-210-A	166	120	45	4 Pcs
DT-220	226	166	60	4 Pcs
Angled Mounting Feet DT-220-A	226	166	60	4 Pcs